



TKP-FIT

Fittings : Product Catalogue





CONDUCTING OUR CLIENTS NEEDS



TKP Inc. is the international commercial Technical and Marketing division of Fluidos Industriales Mexicanos – FIMEX.

FIMEX - TKP is an ISO 9001-2015 QMS certified manufacture with corporate offices and manufacturing facility in Monterrey, Mexico. FIMEX has been in the Plastics and Geomembrane industries for over 25 years serving the Mexican and US markets.

Our Polyethylene Pipe facility is equipped with some of the most modern and up to date extrusion lines in North America with multi-layer and striping capabilities to meet various industry's needs. Our fabricated fittings facility utilizes some of the world's highest precision fabrication equipment for miter and saddle fusion to supply standard fittings and custom fusion of manifolds.

TKP's Engineering and Technical staff has over 100 years of experience in the thermal plastics industries serving North America.

TKP is committed to continued development of new products to solve industry needs such at the new TKP-TR temperature resistant pipe for various applications and the TKP-AR abrasion resistant pipe to help in those difficult applications to extent the life of the pipe and reduce cost of shut downs.



COMPANY WITH QUALITY SYSTEM CERTIFIED BY DNV GL ISO 9001

QUALITY CERTIFICATIONS & LABORATORY

TKP Inc. commitment is to approach our clients to know your needs and satisfy them with products that comply with the requirements of functionality and quality, seeking to improve continually our performance, achieving the growth of our organization.

We offer our PE-4710 pipe, included in the **TR4 of the PPI (Plastic Pipe Institute)**, supported by our excellent allies and suppliers of the best resins available on the market. TKP piping and fittings meet applicable standards for operation in the United States.

Our Quality system complies with the **ISO-9001: 2015** standard.

The pipe is manufactured according to the general use standards for different applications:

We are using a resin that complies with **ASTM D3350**.

We manufacture pipe under these standards:

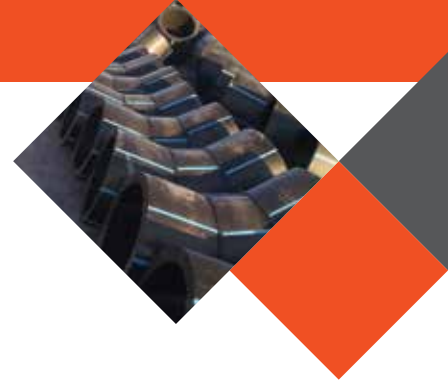
- **ASTM F714**
- **ASTM D 3035**
- **ASTM F 2619**
- **AWWA C 906**
- **NSF 14/61**



In addition, our manufacturing plant in Monterrey Mexico, has a laboratory equipped to verify the qualities of our products:

- **Density**
- **Flow index**
- **Tensile strength**
- **Content of Carbon Black**
- **Hydrostatic pressure resistance**





INDEX

1.- FABRICATED FITTINGS:

1.1.- ELBOW OF 22.5 ° SHORT RADIUS	2
1.2.- ELBOW 45 ° SHORT RADIUS	3
1.3.- ELBOW 45 ° LONG RADIUS	4
1.4.- ELBOW 90 ° SHORT RADIUS	5
1.5.- ELBOW OF 90 ° LONG RADIUS	6
1.6.- WYES 45 °	7
1.7.- TEES	8
1.8.- BRANCH SADDLES	9 - 11
1.9.- FABRICATED CONCENTRICAL REDUCTION	12 - 14
1.10.- PIECES UPON REQUEST	15
ANNEX I.- TKP PIPE PE-47107PE100, DR 7 - DR 15.5	16
ANNEX II.- TKP PIPE PE-4710 / PE100, DR 17 - DR 41	17

2.- FLANGE ADAPTER, STUB ENDS, BACKING RINGS:

2.1.- FLANGE ADAPTER (LONG SPÍGOT), DR 7	19
2.2.- FLANGE ADAPTER (LONG SPÍGOT), DR 9	20
2.3.- FLANGE ADAPTER (LONG SPÍGOT), DR 11	21
2.4.- FLANGE ADAPTOR (LONG SPÍGOT), DR 17	22
2.5.- STUB END	23
2.6.- DUCTILE IRON BACKING RING	23 - 25
2.7.- CARBON STEEL FLANGES	26
2.8.- PP- FIBER BACKING RINGS	27

1.- FABRICATED FITTINGS

- Computerized control of the merger process:

TKP uses manufacturing tables with the most modern technology, which have a system with the most advanced computerized controls of the variables of temperature, pressure and fusion times.

Components included in the section:

SECTION	DESCRIPTION	LONG RADIUS	SHORT RADIUS	DR	EDR	SDR
1.1	ELBOW OF 22.5°		✓	11,17,26	✓	✓
1.2,1.3	ELBOW OF 45°	✓	✓	11,17,26	✓	✓
1.4,1.5	ELBOW OF 90°	✓	✓	11,17,26	✓	✓
1.6	WYES 45°	NA	NA	11,17,26	✓	✓
1.7	TEES	NA	NA	11,17,26	✓	✓
1.8	BRANCH SADDLES	NA	NA	11	✓	✓
1.9	MANUFACTURED REDUCTIONS	NA	NA	11,17	✓	✓

The RD's that are not included, can be requested separately.

If you need a special part that is not in this catalog, please contact our sales representative at info@fimextkp.com.

Some special pieces, such as crosses, manifolds, etc. Please contact the TKP representative with a sketch or drawing of the piece.

- EDR fittings system:

The pieces in the EDR system are manufactured in a different DR with a greater wall thickness, and the tips are rectified so that the tube, which is of thinner DR can be hot-melted efficiently, leaving only the body of the piece protected for a better resistance to pressure performance.

EDR parts are offered from 8", 10", 12" and 16" IPS, DR 7. DR 5 parts are offered in 8", 10", 12" and 16" IPS, only in SDR system.

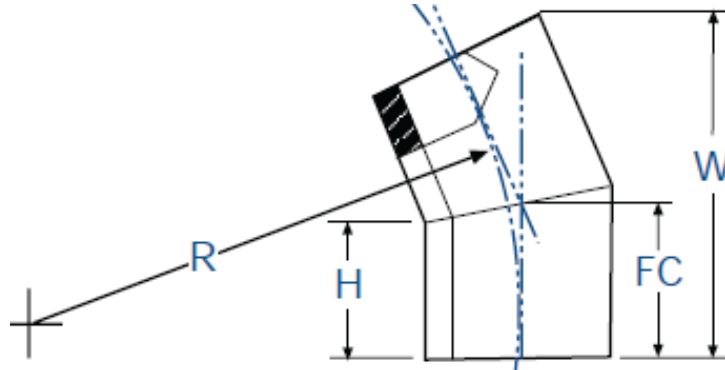
- SDR fittings system:

In this system, the tube and the fittings are made in the same DR and therefore have the same thickness.

**OUR EQUIPMENT HAS AN AUTOMATIC DATA RECORDER
THAT CAN GENERATE REPORTS FOR EACH FUSION AND
ALLOWS FULL TRACEABILITY.**



ELBOW 22.5° - Short Radius



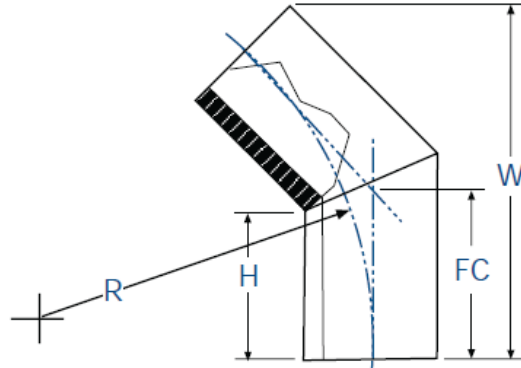
SIZE	EXTERNAL DIAMETER	DIMENSIONS			
		R	H	FC	W
8	8.625	15	6.5	7.625	12.62
10	10.75	17.25	6.5	7.625	16.62
12	12.75	19.5	8	9.25	20.27
14	14	21	8	9.375	20.75
16	16	24	8	9.625	21.51
18	18	27	8	9.75	22.28
20	20	30	8	10	23.04
22	22	33	8	10.25	23.81
24	24	36	8	10.375	24.58
28	28	42	14	16.75	37.65
30	30	45	14	17	38.41
36	36	54	14	17.625	40.71
40	40	63	21	25.125	56.47
42	42	63	21	25.125	56.47
48	48	72	21	25.75	58.77

Note 1: the wall thickness of the connection, according to the DR of the tube of which it is formed, can be consulted in Annexes I and II.

Note 2: The elbows are available in 8" - 24" in DR 7, 8" - 30" in DR 9, 8" - 36" in DR 11,17, 26, of 8" - 48" in DR 17 and 26. The DR 5 fittings are only offered in the SDR system

Other DR's or diameters, please consult your sales representative.

ELBOW 45° - Short Radius



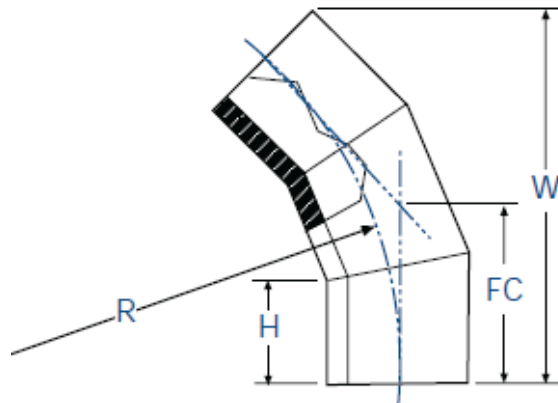
SIZE	EXTERNAL DIAMETER	DIMENSIONS			
		R	H	FC	W
8	8.625	12	6.5	7.625	16
10	10.75	12.63	6.5	8.73	18.7
12	12.75	13.63	8.5	11.14	23.53
14	14	14.25	8.5	11.4	24.41
16	16	15.25	8.5	11.81	25.82
18	18	16.25	8.5	12.23	27.24
20	20	17.25	8.5	12.64	28.65
22	22	23.1	8.5	13.05	30
24	24	24.1	8.5	13.5	31.5
28	28	28.5	10	15.8	36.875
30	30	30.5	10	16.2	38.31
36	36	43	10	17.5	42.5
40	40	50	16	24.7	57
42	42	50	16	24.7	57
48	48	58	16	25.9	61.25

Note 1: the wall thickness of the connection, according to the DR of the tube of which it is formed, can be consulted in Annexes I and II.

Note 2: The elbows are available in 8" - 24" in DR 7, 8" - 30" in DR 9, 8" - 36" in DR 11,17, 26, of 8" - 48" in DR 17 and 26. The DR 5 fittings are only offered in the SDR system

Other DR's or diameters, please consult your sales representative.

ELBOW 45° - Long Radius



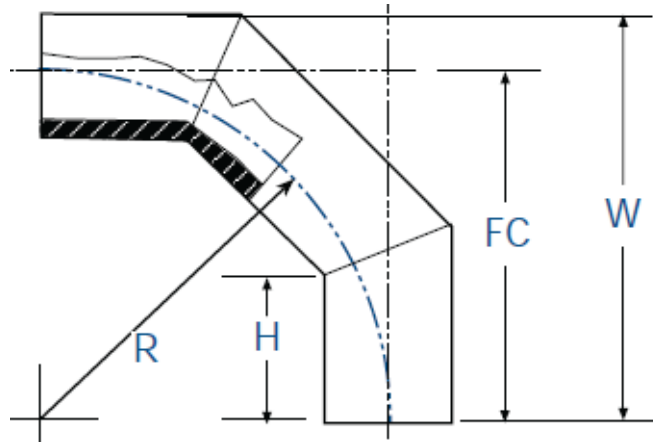
SIZE	EXTERNAL DIAMETER	DIMENSIONS			
		R	H	FC	W
4	4.5	14.25	5	8.5	16.1
6	6.5	15.25	6	10	19.3
8	8.625	15	6.5	11.25	20
10	10.75	17.25	6.5	11.25	23.09
12	12.75	26.5	8	15	30.06
14	14	21	8	13.875	28.64
16	16	24	8	14.75	30.74
18	18	27	8	15.625	33.08
20	20	30	8	16.5	35.19
22	22	33	8	17.25	37.3
24	24	36	8	18.25	39.4
26	26	39	14	25	51.84
28	28	42	14	25.88	54.09
30	30	45	14	26.625	56.2
32	32	48	14	27.5	58.31
36	36	54	14	29.22	62.52
42	42	63	21	38.75	81.02
48	48	72	21	41.25	87.37

Note 1: the wall thickness of the fitting, according to the DR of the tube of which it is formed, can be consulted in Annexes I and II.

Note 2: The elbows are available in 8" - 24" in DR 7, 8" - 30" in DR 9, 8" - 36" in DR 11, 17, 26, of 8" - 48" in DR 17 and 26. The DR 5 fittings are only offered in the SDR system

Other DR's or diameters, please consult your sales representative.

ELBOW 90° - Short Radius



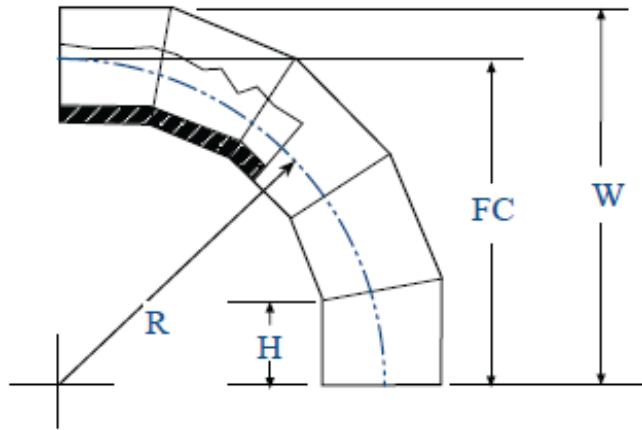
SIZE	EXTERNAL DIAMETER	DIMENSIONS			
		R	H	FC	W
8	8.625	11.63	6.5	11.25	19
10	10.75	12.63	6.5	16.13	21.5
12	12.75	13.63	8.5	19.12	25.5
14	14	14.25	8.5	19.75	26.75
16	16	15.25	8.5	20.75	28.75
18	18	16.25	8.5	21.75	30.75
20	20	17.25	8.5	22.75	32.75
22	22	23.07	8.5	26.57	37.57
24	24	24.07	8.5	27.57	39.57
28	28	28.5	10	32.5	46.5
30	30	30.5	10	34.1	49.1
36	36	43	10	42.6	60.6
40	40	50	16	54	75
42	42	50	16	54	75
48	48	58	16	59.9	83.9

Note 1: the wall thickness of the connection, according to the DR of the tube of which it is formed, can be consulted in Annexes I and II.

Note 2: The elbows are available in 8" - 24" in DR 7, 8" - 30" in DR 9, 8" - 36" in DR 11,17, 26, of 8" - 48" in DR 17 and 26. The DR 5 fittings are only offered in the SDR system

Other DR's or diameters, please consult your sales representative.

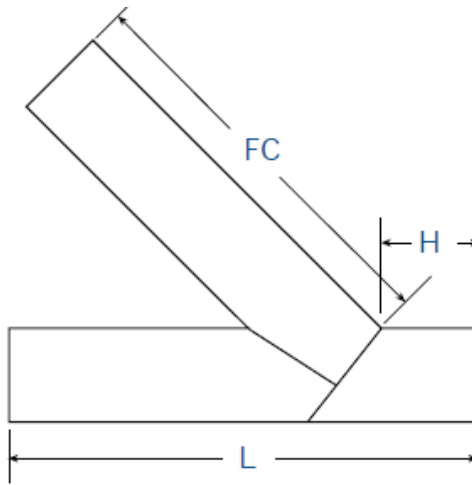
ELBOW 90° - Long Radius



SIZE	EXTERNAL DIAMETER	DIMENSIONS			
		R	H	FC	W
4	4.5	14.25	5	16.875	19.13
6	6.5	15.875	5	18.375	21.688
8	8.625	15	5.25	20.13	24.44
10	10.75	17.25	6.5	21.38	26.75
12	12.75	23.69	6.88	24.88	33.5
14	14	23.31	6.5	26.56	33.563
16	16	24	8	28.88	36.88
18	18	27.88	7.5	31.63	40.63
20	20	30	8	34	44
22	22	33	8	36.63	47.63
24	24	34.88	9.13	39.5	51.5
28	28	42	14	50.38	64.38
30	30	45	14	53	68
36	36	54	14	60.88	78.88
40	40	63	21	75	95.6
42	42	63	21	75.03	96.63
48	48	72	21	83.5	107.5

Note 2: The elbows are available in 8" - 24" in DR 7, 8" - 30" in DR 9, 8" - 36" in DR 11, 17, 26, of 8" - 48" in DR 17 and 26. The DR 5 fittings are only offered in the SDR system
Other DR's or diameters, please consult your sales representative.

WYES 45°



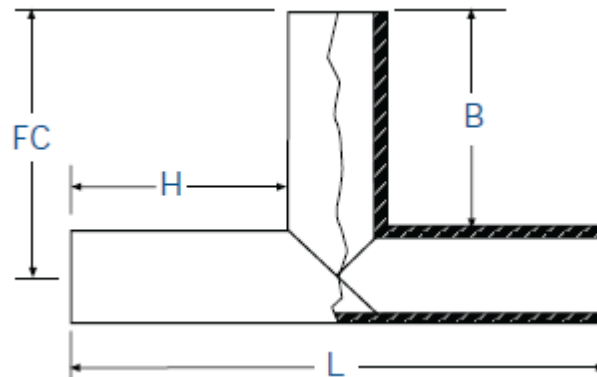
SIZE	EXTERNAL DIAMETER	DIMENSIONS		
		L	H	FC
6	6.625	71.2	20	51.2
8	8.625	71.2	20	51.2
10	10.75	71.2	20	51.2
12	12.75	71.2	20	51.2
14	14	73.2	20	53.15
16	16	73.2	20	53.15
18	18	73.2	20	53.15
20	20	75.1	20	55.12
22	22	75.1	20	55.12
24	24	75.1	20	55.12

Note 1: the wall thickness of the connection, according to the DR of the tube of which it is formed, can be consulted in Annexes I and II.

Note 2: The YEE are available in 6" - 24" in DR 7,9,11,17, 26. The DR 5 fittings are only offered in the SDR system

Other DR's or diameters, please consult your sales representative. other DR's or diameters, please consult your sales representative.

TEES



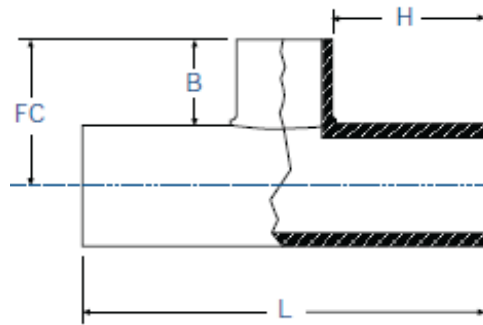
SIZE	EXTERNAL DIAMETER	DIMENSIONS			
		L	H	FC	B
6	6.625	45	19.69	24	19.69
8	8.625	48	19.69	24	19.69
10	10.75	48	18.63	24	18.63
12	12.75	48	17.63	24	17.63
14	14	48	17	24	17
16	16	48	16	24	16
18	18	48	15	24	15
20	20	48	14	24	14
22	22	48	13	24	13
24	24	48	12	24	14
28	28	136	54	68	54
30	30	142	56	71	56
36	36	156	60	77	59
40	40	164	62	80	59
42	42	166	62	80	59
48	48	176	64	83	59

Note 1: the wall thickness of the connection, according to the DR of the of which it is formed, can be consulted in Annexes I and II.

Note 2: The elbows are available in 8" - 24" in DR 7, 8" - 30" in DR 9, 8" - 36" in DR 11,17, 26, of 8" - 48" in DR 17 and 26. The DR 5 fittings are only offered in the SDR system

Other DR's or diameters, please consult your sales representative.

BRANCH SADDLES

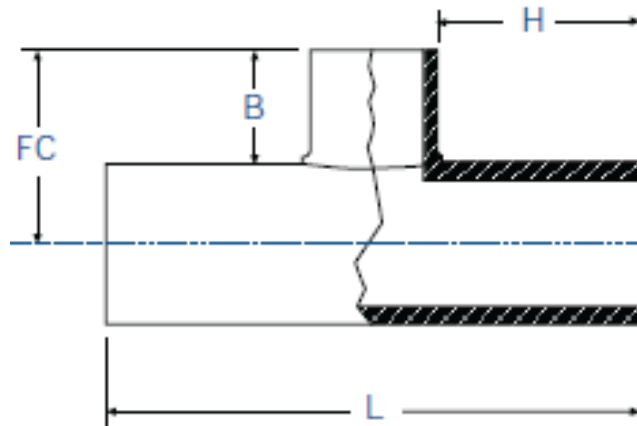


SIZE	EXTERIOR	L	H	FC	B
8 x 4	8.625 x 4.5	24	9	10.25	5.938
10 x 3	10.75 x 3.5	24	9.5	9.625	4.25
10 x 4	10.75 x 4.5	24	9	11.375	6
10 x 6	10.75 x 6.625	28	9.8125	13.375	8
12 X 3	12.75 X 3.5	24	9.5	10.625	4.25
12 X 4	12.75 X 4.5	24	9	12.375	6
12 X 6	12.75 X 6.625	28	9.8125	14.375	8
12 X 8	12.75 X 8.625	30	9.875	14.625	8.25
12 X 10	12.75 X 10.75	30	8.75	12.875	6.5
14 X 3	14 X 3.5	24	9.5	11.25	4.25
14 X 4	14 X 4.5	24	9	13	6
14 X 6	14 X 6.625	28	9.813	15	8
14 X 8	14 X 8.625	30	9.875	15.25	8.25
14 X 10	14 X 10.75	30	8.75	13.5	6.25
14 X 12	14 X 12.75	30	8.75	13.5	6.25
16 X 3	16 X 3.5	24	9.5	12.25	4.25
16 X 4	16 X 4.5	24	9	14	6
16 X 6	16 X 6.625	28	9.813	16	8
16 X 8	16 X 8.625	30	9.875	16.25	8.25
16 X 10	16 X 10.75	30	8.75	14.5	6.5
16 X 12	16 X 12.75	32	8.6	16.5	8.5
16 X 14	16 X 14	32	8.6	16.5	8.5
18 X 3	18 X 3.5	24	9.5	13.25	4.25
18 X 4	18 X 4.5	24	9	15	6
18 X 6	18 X 6.625	28	9.813	17	8

Note 1: the wall thickness of the connection, according to the DR of the tube of which it is formed, can be consulted in Annexes I and II.

Note 2: The branch saddles are available in DR 5 for 8", 10", 12" and 18" IPS; of 8"- 24" in RD 7 of 8"- 30" in DR 9, and of 8" - 36" in DR 11, the DR 5 fittings are only offered in SDR system. Other DR's or diameters, please consult your sales representative.

BRANCH SADDLES

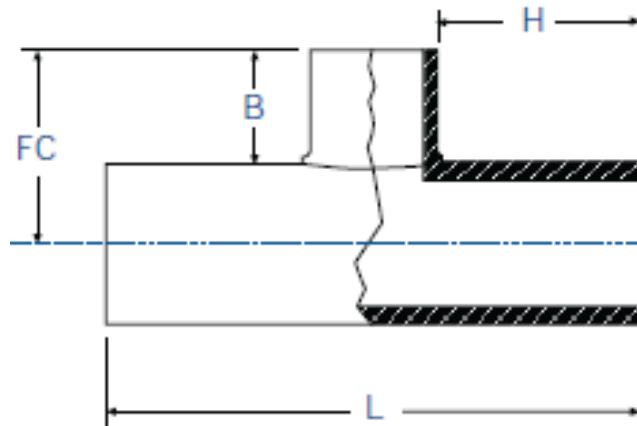


SIZE	EXTERNAL DIAMETER	DIMENSIONS			
		L	H	FC	B
18 X 8	18 X 8.625	30	9.875	17.25	8.25
18 X 10	18 X 10.75	30	8.75	15.5	6.5
18 X 12	18 X 12.75	32	8.6	17.5	8.5
18 X 14	18 X 14	32	8.6	17.5	8.5
18 X 16	18 x 16	36	8.5	25	15
20 X 3	20 X 3.5	28	9.81	15.125	5.125
20 X 4	20 X 4.5	28	9.81	15.125	5.125
20 X 6	20 X 6.625	28	9.81	15.125	5.125
20 X 8	20 X 8.625	30	9.88	17	7
20 X 10	20 X 10.75	30	8.75	16.5	6.5
20 X 12	20 X 12.75	32	8.6	17.5	7.5
20 X 14	20 X 14	32	8.6	17.5	7.5
24 X 3	24 X 3.5	28	9.81	17.125	5.125
24 X 4	24 X 4.5	28	9.81	17.125	5.125
24 X 6	24 X 6.625	28	9.81	17.125	5.125
24 X 8	24 X 8.625	30	9.88	19	7
24 X 10	24 X 10.75	30	8.75	18.5	6.5
24 X 12	24 X 12.75	32	8.6	19.5	7.5

Note 1: the wall thickness of the connection, according to DR of the tube from which it is formed, can be consulted in Annexes I and II

Note 2: The branch saddles are available in DR 5 for 8", 10", 12" and 18" IPS; of 8"- 24" in RD 7 of 8"- 30" in DR 9, and of 8" - 36" in DR 11, the DR 5 fittings are only offered in SDR system. Other DR's or diameters, please consult your sales representative.

BRANCH SADDLES

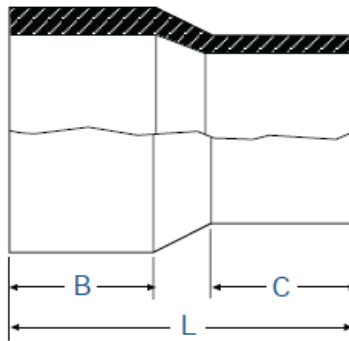


SIZE	EXTERNAL DIAMETER	DIMENSIONS			
		L	H	FC	B
30 X 3	30 X 3.5	48	19.81	20.125	5.125
30 X 4	30 X 4.5	48	19.81	20.125	5.125
30 X 6	30 X 6.625	48	19.81	20.125	5.125
30 X 8	30 X 8.625	48	18.88	22	7
30 X 10	30 X 10.75	48	17.75	21.5	6.5
30 X 12	30 X 12.75	48	16.6	22.5	7.5
30 X 14	30 X 14	48	14.5	30	15
36 X 3	36 X 3.5	48	19.813	23.125	5.125
36 X 4	36 X 4.5	48	19.813	23.125	5.125
36 X 6	36 X 6.625	48	19.813	23.125	5.125
36 X 8	36 X 8.625	48	16.6	25.5	7.5
36 X 10	36 X 10.75	48	16.6	28.5	7.5
36 X 12	42 X 12.75	48	16.6	28.5	7.5
36 X 14	36 X 14	48	16.6	25.5	7.5

Note 1: the wall thickness of the connection, according to DR of the tube from which it is formed, can be consulted in Annexes I and II

Note 2: The branch saddles are available in DR 5 for 8", 10", 12" and 18" IPS; of 8"- 24" in RD 7 of 8"- 30" in DR 9, and of 8" - 36" in DR 11, the DR 5 fittings are only offered in SDR system. Other DR's or diameters, please consult your sales representative.

CONCENTRIC REDUCTION

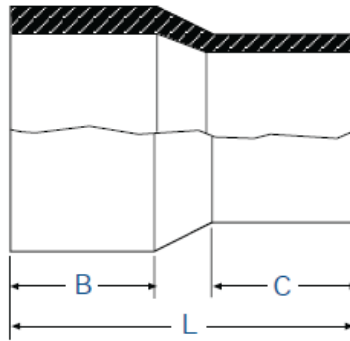


SIZE	EXTERNAL DIAMETER	DIMENSIONS		
		L	B	C
48" x 42"	48" x 42"	36	16.5	16.5
42" x 40"	42" x 40"	36	16.5	16.5
40" x 36"	40" x 36"	23	10	10
36" x 34"	36" x 34"	19	8	8
36" x 32"	36" x 32"	19	8	8
36" x 30"	36" x 30"	19	8	8
36" x 28"	36" x 28"	19	8	8
36" x 26"	36" x 26"	19	8	8
36" x 24"	36" x 24"	19	8	8
36" x 20"	36" x 20"	19	8	8
36" x 18"	36" x 18"	19	8	8
34" x 32"	34" x 32"	19	8	8
34" x 30"	34" x 30"	19	8	8
34" x 28"	34" x 28"	19	8	8
34" x 26"	34" x 26"	19	8	8
34" x 24"	34" x 24"	19	8	8
34" x 20"	34" x 20"	19	8	8
34" x 18"	34" x 18"	19	8	8
32" x 30"	32" x 30"	19	8	8
32" x 28"	32" x 28"	19	8	8
32" x 26"	32" x 26"	19	8	8

Nota 1: el espesor de pared de la conexión , de acuerdo al RD del tubo del que esta formado, se puede consultar en los Anexos I y II

Note 2: The reductions are available from 8 "-24" in DR 7, 8 "-30" in DR 9, from 8- "48" in DR 11 except reductions of 48 "x 42", 42 "x 40" and 40 "x 36" that are available in DR 17; other DR's or diameters, please consult your sales representative.

CONCENTRIC REDUCTION

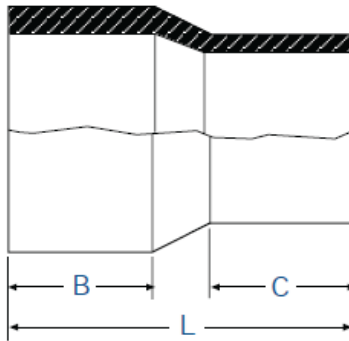


SIZE	EXTERNAL DIAMETER	DIMENSIONS		
		L	B	C
32" x 24"	32" x 24"	19	8	8
32" x 20"	32" x 20"	19	8	8
32" x 18"	32" x 18"	19	8	8
32" x 16"	32" x 16"	19	8	8
30" x 28"	30" x 28"	19	8	8
30" x 26"	30" x 26"	19	8	8
30" x 24"	30" x 24"	19	8	8
30" x 20"	30" x 20"	19	8	8
30" x 18"	30" x 18"	19	8	8
30" x 16"	30" x 16"	19	8	8
28" x 24"	28" x 24"	19	8	8
28" x 20"	28" x 20"	19	8	8
28" x 18"	28" x 18"	19	8	8
28" x 16"	28" x 16"	19	8	8
28" x 14"	28" x 14"	19	8	8
28" x 12"	28" x 12.75"	19	8	8
24" x 20"	24" x 20"	19	8	8
24" x 18"	24" x 18"	19	8	8
24" x 16"	24" x 16"	19	8	8
24" x 14"	24" x 14"	19	8	8
24" x 12"	24" x 12.75"	19	8	8

Nota 1: el espesor de pared de la conexión, de acuerdo al RD del tubo del que esta formado, se puede consultar en los Anexos I y II

Note 2: The reductions are available from 8 "-24" in DR 7, 8 "-30" in DR 9, from 8-"48" in DR 11 except reductions of 48 "x 42", 42 "x 40" and 40 "x 36" that are available in DR 17; other DR's or diameters, please consult your sales representative.

CONCENTRIC REDUCTION



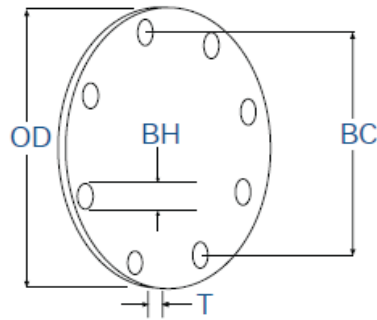
SIZE	EXTERNAL DIAMETER	DIMENSIONS		
		L	B	C
24" x 10"	24" x 10.75"	19	8	8
24" x 8"	24" x 8.625"	19	8	8
20" x 18"	20" x 18"	19	8	8
20" x 16"	20" x 16"	19	8	8
20" x 14"	20" x 14"	19	8	8
20" x 12"	20" x 12.75"	19	8	8
20" x 10"	20" x 10.75"	19	8	8
20" x 8"	20" x 8.625"	19	8	8
18" x 16"	18" x 16"	19	8	8
18" x 14"	18" x 14"	19	8	8
18" x 12"	18" x 12.75"	19	8	8
18" x 10"	18" x 10.75"	19	8	8
18" x 8"	16" x 8.625"	19	8	8
16" x 14"	16" x 14"	19	8	8
16" x 12"	16" x 12.75"	19	8	8
16" x 10"	16" x 10.75"	19	8	8
16" x 8"	16" x 8.625"	19	8	8
14" x 12"	14" x 12.75"	19	8	8
14" x 10"	14" x 10.75"	19	8	8
14" x 8"	14" x 8.625"	19	8	8

Nota 1: el espesor de pared de la conexión , de acuerdo al RD del tubo del que esta formado, se puede consultar en los Anexos I y II

Note 2: The reductions are available from 8 "-24" in DR 7, 8 "-30" in DR 9, from 8- "48" in DR 11 except reductions of 48 "x 42", 42 "x 40" and 40 "x 36" that are available in DR 17; other DR's or diameters, please consult your sales representative.

SPECIAL PIECES

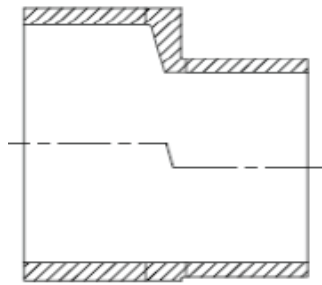
BLIND FLANGES



SIZE	OD	BH	BC
8"	13.5	0.875	11.75
10"	16	1	14.25
12"	19	1	17
14"	21	1.125	18.75
16"	23.5	1.125	21.25
18"	25	1.25	22.75
20"	27.5	1.25	25
22"	29.5	1.375	27.25
24"	32	1.375	29.5
28"	36.5	1.375	34
30"	38.75	1.625	36
32"	41.75	1.625	38.5
36"	46	1.625	42.75
42"	53	1.625	49.5
48"	59.5	1.625	56

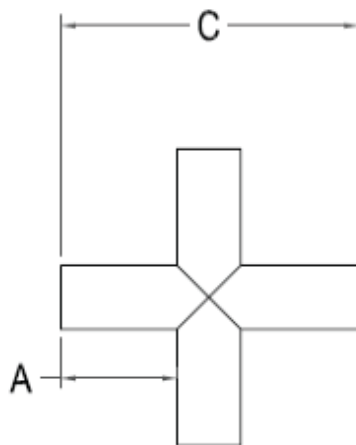
Blind flanges from 8 "to 48" are offered in different thicknesses (t) for DR 11 (160 psi), DR 17 (100 psi) upon request. other diameters or DR's, please consult your TKP sales representative.

ECCENTRIC REDUCTIONS



Eccentric reductions are available upon request. Please consult your TKP sales representative.

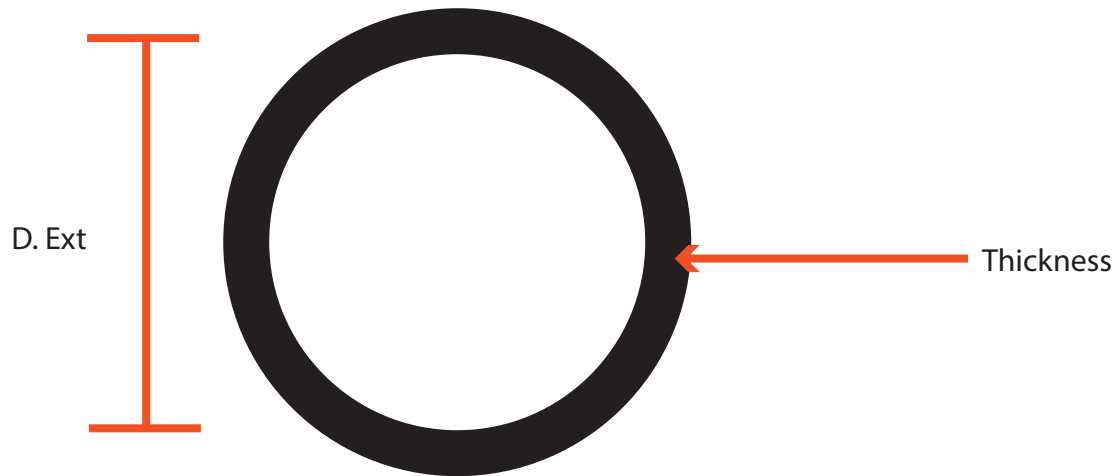
CROSS



DIAM. IPS	A	C
8"	7.75	24.188
10"	6.5	23.75
12"	8	27.75
14"	8	30
16"	8	32
18"	14	46
20"	14	48
22"	14	50
24"	14	52
28"	14	56
30"	14	58
32"	14	60
36"	20	76

Cross are available upon request from 8 "-28" in DR 9, 8 " - 36" in DR 11.17, please consult your sales representative.

Appendix I: TKP IPS pipe

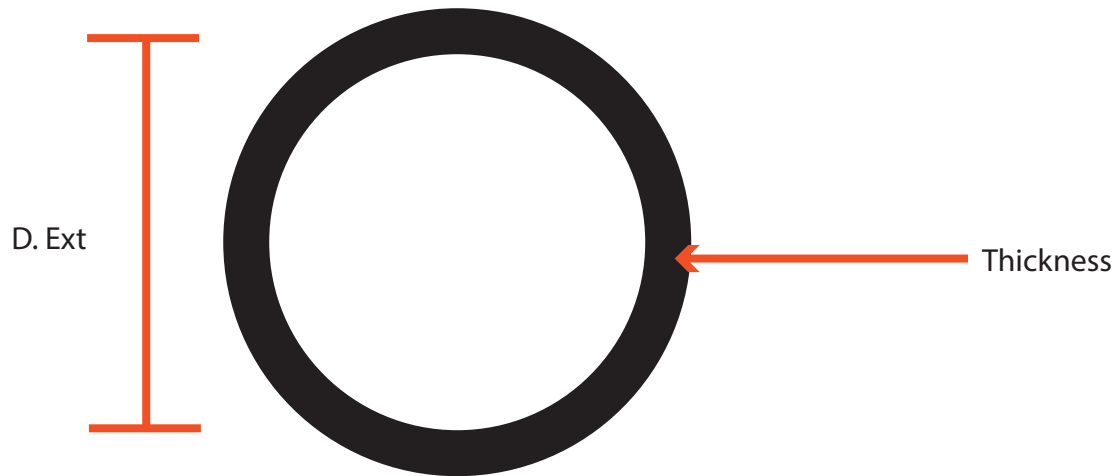


Nominal Diameter	D. Ext. Inch	Tol. (+/-)	RD 5	RD 7	RD7.3	RD9	RD11	RD13.5
			Thickness inch	Thickness inch	Thickness inch	Thickness inch	Thickness inch	Thickness inch
3"	3.500	0.008		0.500	0.480	0.390	0.319	0.260
4"	4.500	0.020		0.642	0.618	0.500	0.409	0.335
6"	6.625	0.031		0.945	0.909	0.736	0.602	0.492
8"	8.625	0.039	1.725	1.232	1.181	0.957	0.783	0.638
10"	10.752	0.047	2.150	1.535	1.472	1.193	0.976	0.795
12"	12.748	0.055	2.550	1.823	1.748	1.417	1.157	0.945
14"	14.000	0.063		2.000	1.917	1.555	1.272	1.035
16"	16.000	0.071	3.200	2.287	2.197	1.780	1.457	1.185
18"	18.000	0.083		2.571	2.465	2.000	1.638	1.335
20"	20.000	0.091		2.858	2.744	2.220	1.819	1.480
22"	22.000	0.098		3.142	3.016	2.445	2.000	1.630
24"	24.000	0.106		3.429	3.287	2.665	2.181	1.780
26"	26.000	0.118				2.890	2.362	1.925
28"	28.000	0.126				3.110	2.543	2.075
30"	30.000	0.134				3.335	2.728	2.220
32"	32.000	0.146				3.555	2.909	2.370
34"	34.000	0.154					3.091	2.520
36"	36.000	0.161					3.272	2.665
40"	40.000	0.181					3.638	2.965
42"	42.000	0.189						3.110
48"	48.000	0.217						3.555

WALL THICKNESS ARE MINIMUM

NOTE: THE FITTINGS IN DR 5 ARE AVAILABLE ONLY FOR 8", 10", 12" Y 16" IPS;
 FITTINGS DR 5 ARE NOT AVAILABLE IN SYSTEM EDR

Appendix II: TKP IPS pipe



Nominal Diameter	D. Ext. Inch	Tol (+/-)	RD15.5	R17	RD21	RD26	RD32.5	RD41
			Thickness inch	Thickness inch	Thickness inch	Thickness inch	Thickness inch	Thickness inch
3"	3.500	0.008	0.224	0.205	0.165	0.134	0.106	
4"	4.500	0.020	0.291	0.264	0.213	0.173	0.138	0.110
6"	6.625	0.031	0.425	0.390	0.315	0.256	0.205	0.161
8"	8.625	0.039	0.555	0.508	0.409	0.331	0.264	0.209
10"	10.752	0.047	0.693	0.634	0.512	0.413	0.331	0.264
12"	12.748	0.055	0.823	0.752	0.606	0.492	0.394	0.311
14"	14.000	0.063	0.902	0.823	0.665	0.539	0.429	0.343
16"	16.000	0.071	1.031	0.941	0.764	0.614	0.492	0.390
18"	18.000	0.083	1.161	1.059	0.858	0.693	0.555	0.441
20"	20.000	0.091	1.291	1.177	0.953	0.768	0.614	0.488
22"	22.000	0.098	1.417	1.295	1.047	0.846	0.677	0.535
24"	24.000	0.106	1.547	1.413	1.142	0.921	0.736	0.587
26"	26.000	0.118	1.677	1.528	1.236	1.000	0.799	0.634
28"	28.000	0.126	1.807	1.646	1.335	1.079	0.862	0.681
30"	30.000	0.134	1.933	1.764	1.429	1.154	0.921	0.732
32"	32.000	0.146	2.067	1.854	1.524	1.232	0.984	0.780
34"	34.000	0.154	2.193	2.000	1.618	1.307	1.047	0.831
36"	36.000	0.161	2.323	0.937	1.713	1.386	1.106	0.878
40"	40.000	0.181	2.579	2.354	1.906	1.539	1.232	0.976
42"	42.000	0.189	2.709	2.472	2.000	1.614	1.291	1.024
48"	48.000	0.217	3.098	2.823	2.287	1.846	1.476	1.169

2.- FLANGE ADAPTORS, STUB END, FLANGES

Fimex -TKP complements its fittings system with elements of mechanical and transitional union, The most commonly used is the combination of HDPE flanges and metal flanges that are held together by means of clamping screws.

SECTION	DESCRIPTION	LONG RADIO	SHORT RADIO	DR	EDR	SDR
2.1- 2.4	FLANGE ADAPTOR	✓		7, 9, 11, 17	✓	✓
2.5	FLANGE STUB END		✓	11, 17	✓	✓
2.5	DUCTILE IRON BACKING RINGS			7, 11		
2.6	CARBON STEEL FLANGE			11, 17		
1.7	PP BACKING RINGS			CLASS 150		

A.- HDPE flanged adapters:

Made with HDPE resin with the highest performance and durability, PE4710 / PE100, are designed with the long end, which is fused to the tube or polyethylene connections. With sufficient length for efficient thermofusion, the entire range ranges from 3 "to 36" IPS. Available in EDR and SDR system.

B.- Flanges stub end:

These practical pieces are offered in diameters larger than 36 ", their size provides the convenience of a short stem piece that is handled and accommodated in hot melt equipment quickly and efficiently. Also available in EDR or SDR system.

C.- Ductile iron backing rings:

The melted ductile iron flanges combine the lightness and ease of handling of its weight with the tenacity and resistance of the iron ASTM to 536, gr 64/45/12, with an advanced geometry that ensures an efficient tightening and complete hermeticity.

They comply with the ANSI b16.5 standard, with an epoxy cast paint finish (fusion bonded epoxic) red color for anticorrosive protection.

D.- Carbon steel flanges:

Cut from ASTM a105 carbon steel plate and with the highest strength, this classic piece is offered for diameters of 26 "- 48", also finished with epoxy anticorrosive paint.

E.- Flanges of PP- Glass fiber:

With the lightness of plastic pieces, without metallic content, definitely the flanges of the future!

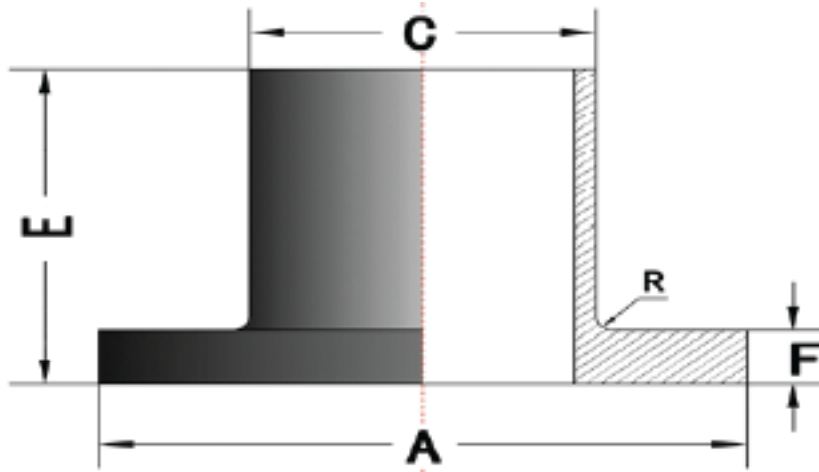
The main advantages offered by these pieces are:

- Resistant to corrosion of the environment or aggressive media.
- Light, weigh half the pieces of ductile iron.
- Resistance to pressure: 150 PSI of effort.
- Comply with the ANSI b16.5 standard.
- The tightening and tightness fulfilling the torque requirements:

Nominal diameter: 3 ": 40 nm; 4 ": 50 nm; 6 ": 60 nm; 8 ": 75 nm; 10 ": 95 nm; 12 ": 100nm.

The DR's or diameters that are not included, can be applied separately, please contact our sales representative.

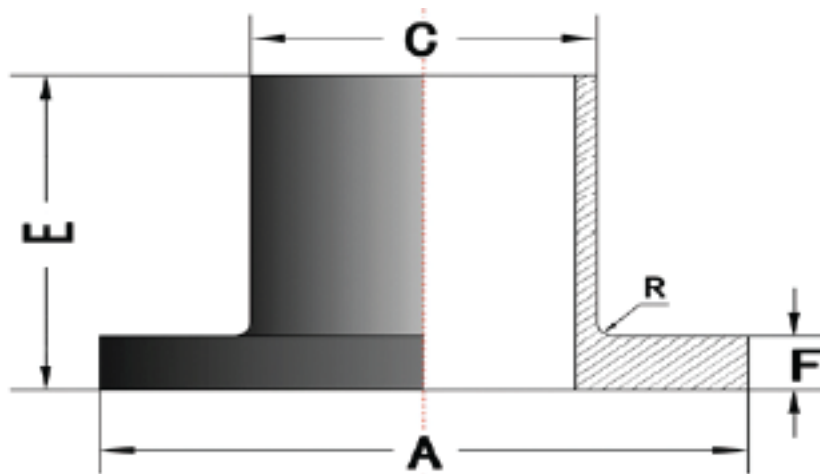
FLANGE ADAPTER (LONG SPIGOT), DR 7



	Dimension				
Size	A (inches)	C (inches)	E (inches)	F (inches)	R(inches)
3"	5.00	3.50	5.71	0.67	0.25
4"	6.00	4.50	6.81	0.79	0.38
6"	8.50	6.63	7.75	1.18	0.38
8"	10.63	8.63	9.02	1.54	0.38
10"	12.75	10.75	9.65	1.92	0.38
12"	14.96	12.75	10.75	2.28	0.38

Note: other diameters, please consult your sales representative.

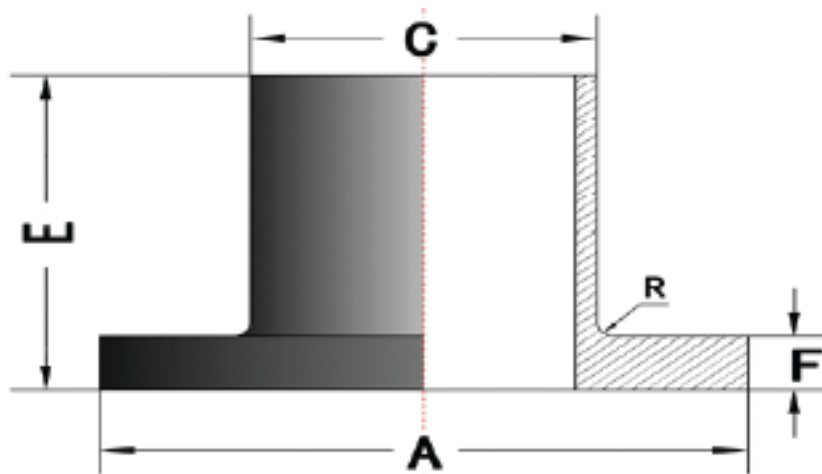
FLANGE ADAPTER (LONG SPIGOT), DR 9



	Dimension				
Size	A (inches)	C (inches)	E (inches)	F (inches)	R (inches)
3"	5.00	3.50	5.71	0.67	0.25
4"	6.00	4.50	6.81	0.79	0.38
6"	8.50	6.63	7.75	1.20	0.38
8"	10.63	8.63	9.02	1.02	0.38
10"	12.75	10.75	9.65	1.50	0.38
12"	14.96	12.75	10.75	1.88	0.38
14"	17.50	12.01	12.01	2.00	0.5
16"	20.00	16.00	12.01	2.25	0.5
18"	21.12	18.00	12.00	2.50	0.5
20"	23.50	20.00	12.01	3.49	0.5
24"	27.95	24.00	13.61	4.36	0.5

Note: other diameters, please consult your sales representative.

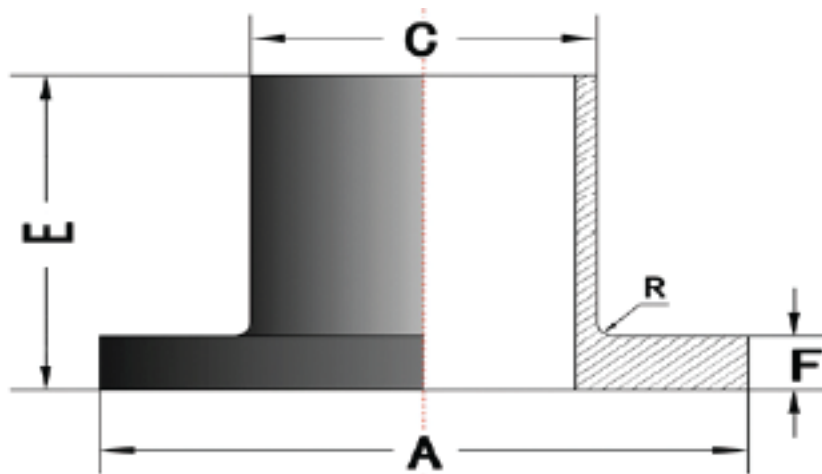
FLANGE ADAPTER (LONG SPIGOT), DR 11



Size	Dimension				
	A (inches)	C (inches)	E (inches)	F (inches)	R (inches)
3"	5.00	3.50	5.71	0.67	0.25
4"	6.00	4.50	6.81	0.79	0.38
6"	8.50	6.63	7.75	0.80	0.38
8"	10.63	8.63	9.02	1.02	0.38
10"	12.75	10.75	9.65	1.28	0.38
12"	14.96	12.75	10.75	1.54	0.38
14"	17.50	12.01	12.01	1.61	0.5
16"	20.00	16.00	12.01	1.81	0.5
18"	21.12	18.00	12.00	2.05	0.5
20"	23.50	20.00	12.01	2.28	0.5
24"	27.95	24.00	13.61	2.72	0.5
28"	32.32	28.00	13.78	3.15	0.5
30"	34.29	30.00	13.78	3.39	0.5
32"	36.50	32.00	13.78	3.35	0.5
36"	40.79	36.00	13.78	4.09	0.5

Note: other diameters, please consult your sales representative.

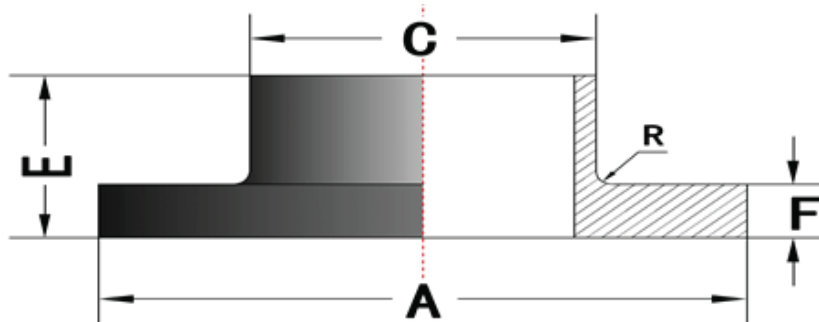
FLANGE ADAPTER (LONG SPIGOT), DR 17



Size	SDR	Dimension				
		A (inches)	C (inches)	E (inches)	F (inches)	R (inches)
3"	17	5.00	3.50	5.71	0.67	0.25
4"	17	6.00	4.50	6.81	0.79	0.38
6"	17	8.50	6.63	7.75	0.80	0.38
8"	17	10.63	8.63	9.02	1.02	0.38
10"	17	12.75	10.75	9.65	1.28	0.38
12"	17	14.96	12.75	10.75	1.54	0.38
14"	17	17.50	14.00	12.01	1.54	0.5
16"	17	20.00	16.00	12.01	1.54	0.5
18"	17	21.12	18.00	12.01	1.73	0.5
20"	17	23.50	20.00	12.01	1.89	0.5
24"	17	27.95	24.00	13.61	2.72	0.5
28"	17	32.32	28.00	13.78	2.91	0.5
30"	17	34.29	30.00	13.78	3.46	0.5
32"	17	34.29	32.00	14.00	3.69	0.5
36"	17	40.79	36.00	13.78	3.58	0.5

Note: other diameters, please consult your sales representative.

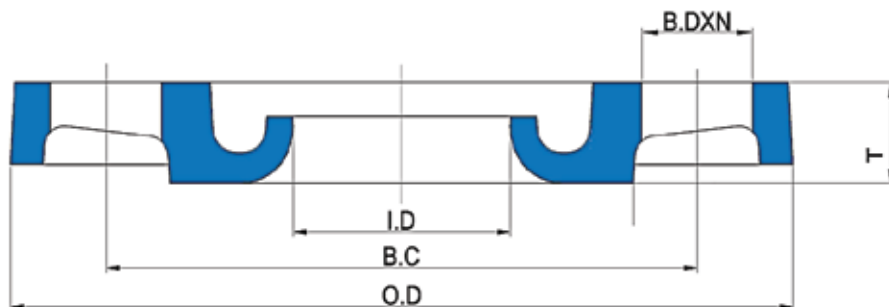
FLANGE STUB END



Size	SDR	Dimension				
		A (inches)	C (inches)	E (inches)	F (inches)	R (inches)
42"	11	47.13	42.00	9.00	4.77	0.5
42"	17	47.13	42.00	9.00	3.09	0.5
48"	17	54.00	48.00	6.50	3.53	0.5

Note: other DR's or diameters, please consult your sales representative.

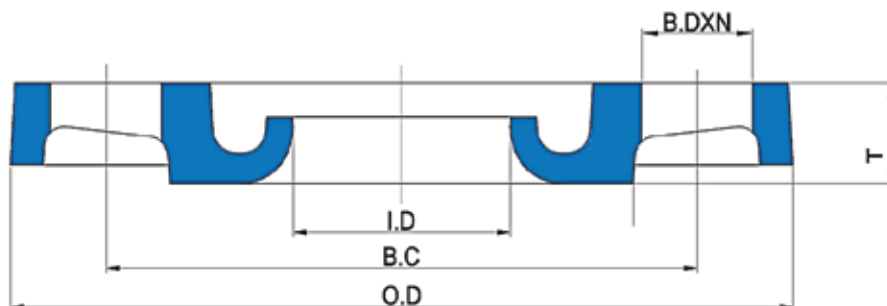
DUCTILE IRON BCKING RING DR 7



Size	Pressure	DR	Type	OD	ID	Thickness	# Holes	Holes	Holes	Weight (Lb)
								B.D.	B.C.	
3"	267 PSI	7	C	7.5	3.6	0.94	4	0.75	6	3.79
4"	267 PSI	7	C	9	4.6	0.94	8	0.75	7.5	5.09
5"	267 PSI	7	C	10	5.69	0.94	8	0.88	8.5	5.91
6"	267 PSI	7	C	11	6.75	1	8	0.88	9.5	6.99
8"	267 PSI	7	C	13.5	8.75	1.12	8	0.88	11.75	10.49
10"	267 PSI	7	C	16	10.92	1.19	12	1	14.25	15.30
12"	267 PSI	7	C	19	12.92	1.5	12	1	17	24.38

DIMENSIONS IN INCHES

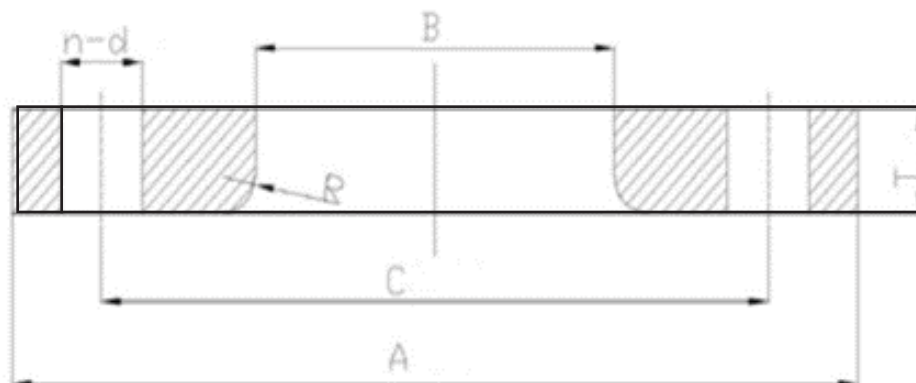
DUCTILE IRON BCKING RING DR 11



Size	Pressure	DR	Type	OD	ID	Thickness	# HOLES	Holes	Holes	Weight (Lb)
								B.D.	B.C.	
3"	160PSI	11	B	7.5	3.75	0.53	4	0.75	6	2.47
4"	160PSI	11	B	9	4.8	0.55	8	0.75	7.5	3.31
6"	160PSI	11	B	11	6.9	0.63	8	0.88	9.5	4.45
8"	160PSI	11	B	13.5	8.9	0.87	8	0.88	11.75	8.00
10"	160PSI	11	B	16	11	0.98	12	1	14.25	11.64
12"	160PSI	11	B	19	13.15	1.26	12	1.13	17	19.91
14"	160PSI	11	B	21	14.4	1.38	12	1.13	18.75	28.02
16"	160PSI	11	B	23.5	16.4	1.65	16	1.13	21.25	39.75
18"	160PSI	11	B	25	18.4	1.69	16	1.25	22.75	40.15
20"	160PSI	11	B	27.5	20.5	1.81	20	1.25	25	51.21
22"	160PSI	11	B	29.5	22.5	2.01	20	1.38	27.25	62.24
24"	160PSI	11	B	32	24.5	2.17	20	1.38	29.5	76.46

DIMENSIONS IN INCHES

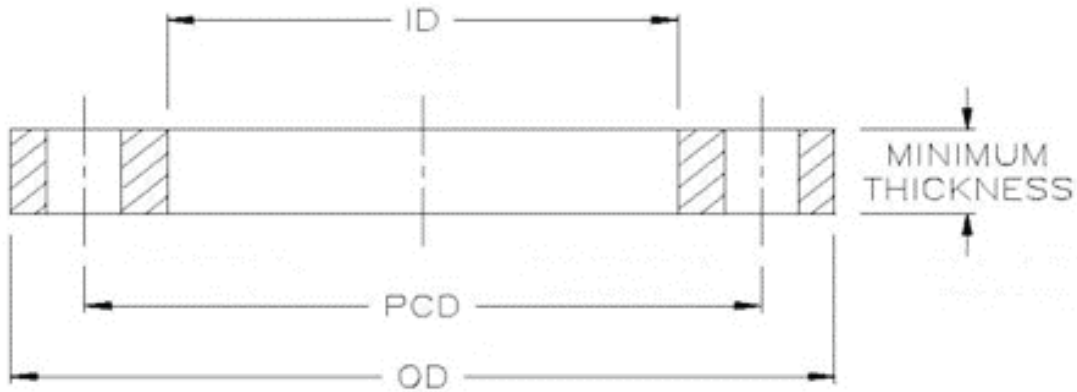
CARBON STEEL FLANGE.- 160 PSI



NOMINAL DIAM	RD	A	B	T	Bolt No.	Bolt Hole	Bolt Hole	R
						B.D.	C	
26"	11	34.25	26.5	1.31	24	1.38	31.75	0.35
28"	11	36.5	28.5	1.31	28	1.38	34	0.35
30"	11	38.75	30.5	1.38	28	1.38	36	0.35
32"	11	41.75	32.5	1.5	28	1.63	38.5	0.35
34"	11	43.75	34.5	1.5	32	1.63	40.5	0.35
36"	11	46	36.5	1.63	32	1.63	42.75	0.35
40"	11	50.75	40.5	1.63	36	1.63	47.25	0.35
42"	11	53	42.5	1.75	36	1.63	49.5	0.35
48"	11	59.5	48.5	1.75	44	1.63	56	0.35

DIMENSIONS IN INCHES

PP- FIBER BACKING RING, CLASS 150



NOMINAL DIAM	OD	PCD	ID	HOLE DIAM	THICKNESS	# HOLES	Lb
3"	7.9	6.0	4.25	0.7	1.063	4	1.30
4"	9.0	7.5	5.04	0.7	1.102	8	1.67
6"	11.2	9.5	7.01	0.9	1.26	8	2.65
8"	13.4	11.7	9.37	0.9	1.34	8	3.42
10"	16.0	14.3	11.57	1.0	1.50	12	4.92
12"	19.0	17.0	13.31	1.0	1.65	12	8.59

DIMENSIONS IN INCHES



Contact us,
we will be ready to help you

Offices

9801 Westheimer Rd. Suite 302
Houston, Texas
77042, USA

+1 (713) 917 6800

Headquarter Plant

Av. Tecnológico #483
Monterrey Technology Park
Ciénega de Flores, N.L.
C.P. 65550, México

+52 (81) 8384 7310

info@tkp.mx



WWW.TKP.MX

Follow us on our social networks!

 / Tkp inc. - Teknipipe & Supplies

 @fimex.tkp